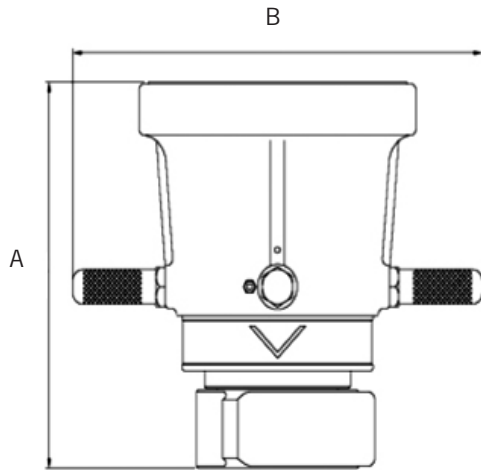


LANZA FIREX
FIREX NOZZLE

Mod. **SE-ZZ**



SE-ZZ-5



SE-ZZ-8



SE-ZZ-3
Nuevo / New

- Bronce
- Varios Caudales
- Conexión 2 ½"

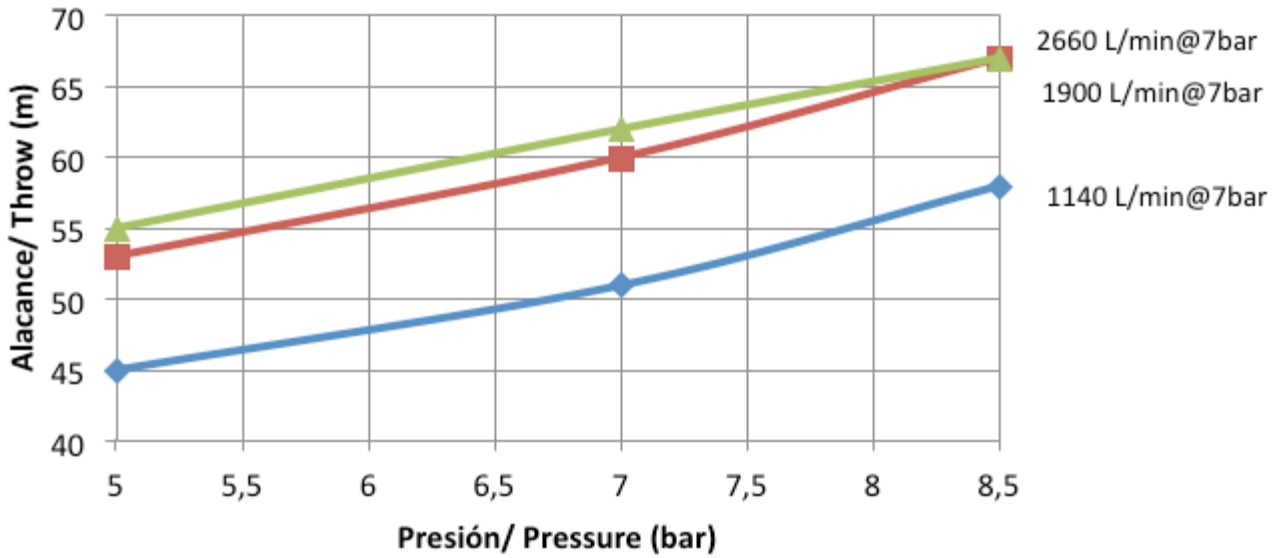
- Bronze
- Different Flow Rate
- 2 ½" Inlet

MODELO MODEL	FIG. FIG.	"A" mm.	"B" mm.	"ØD" GAS - BSP	CAUDAL FLOW RATE L/min. max -7 bar	MATERIAL MATERIAL	PESO WEIGHT Kg
SE-ZZ-5	1	189	228	2½"	1.140 – 1900 – 3.030	Bronce / brass	9
SE-ZZ-8	1	222	232	2½"	1.900 – 2.900 – 3.800 – 4.800	Bronce / brass	10
SE-ZZ-3	1	177,8	210	2½"	1.140 – 1900 – 2.660	Bronce / brass	7

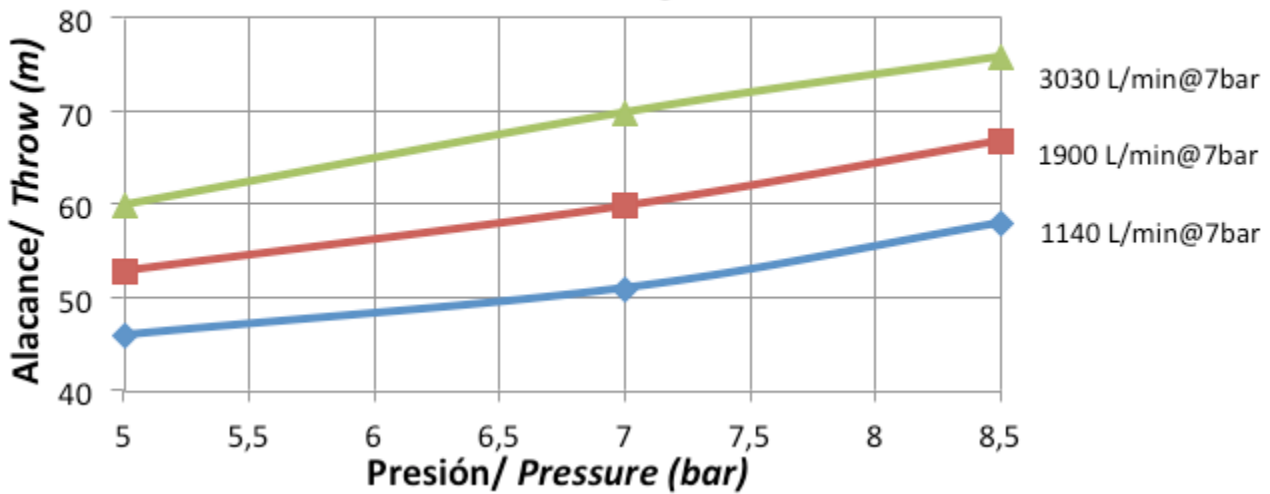
LANZA FIREX
FIREX NOZZLE

Mod. **SE-ZZ**

ZZ-3



ZZ-5



ZZ-8

