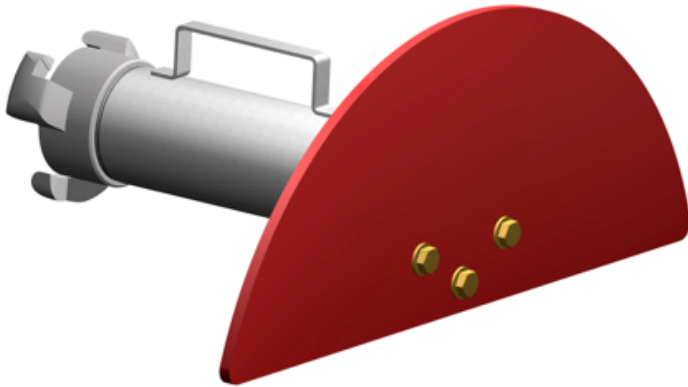


QUEUE DE PAON
HYDRO SHIELDS

Mod. **SE-HS**



CARACTÉRISTIQUES DE CONSTRUCTION

- Corps en acier Inoxidable AISI 304.
- Buse en acier inoxydable AISI 304
- Déflecteur en acier inoxydable AISI 304
- Pression maximale: 12 bar
- Finition: epoxy rouge RAL 3000

OPTION

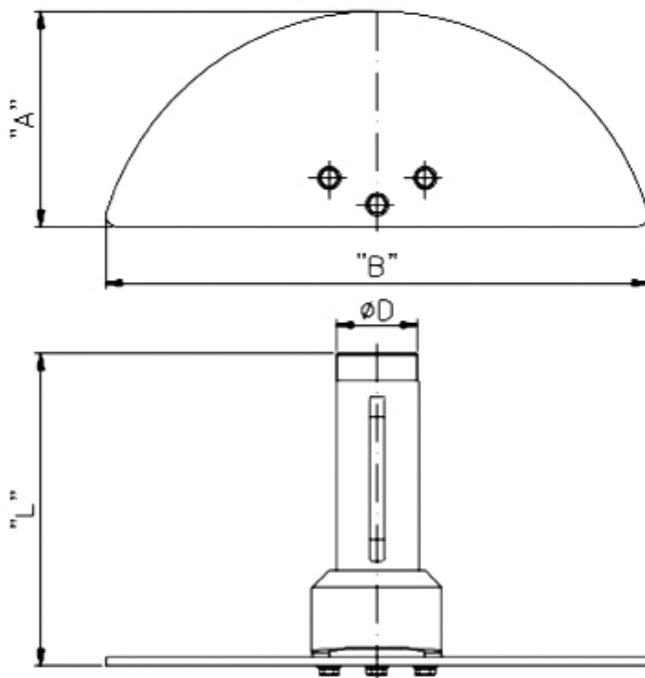
Connection type: BCN-45, BCN-70, DIN-45, DIN-70, STORZ, BSS, NH.

CONSTRUCTION FEATURES

- Body in AISI 304 stainless steel
- Nozzle in AISI 304 stainless steel
- Deflector in AISI 304 stainless steel
- Maximum working pressure: 12 bar
- Finish: red epoxy paint (RAL 3000)

OPTIONAL

Connection type: BCN-45, BCN-70, DIN-45, DIN-70, STORZ, BSS, NH.



MODELO MODEL	CAUDAL FLOW RATE l/min. max- 5 bar	ALCANCE HORIZONTAL HORIZONTAL THROW m- 5 bar	ALCANCE VERTICAL VERTICAL THROW m- 5 bar	"A" mm	"B" mm	"ØD" GAS-BSP	"L" mm	PESO WEIGHT Kg
SE-HS-65	650	16	7	110	345	1"1/2	256	4,7
SE-HS-170	1750	23	8	200	500	2"1/2	288	5